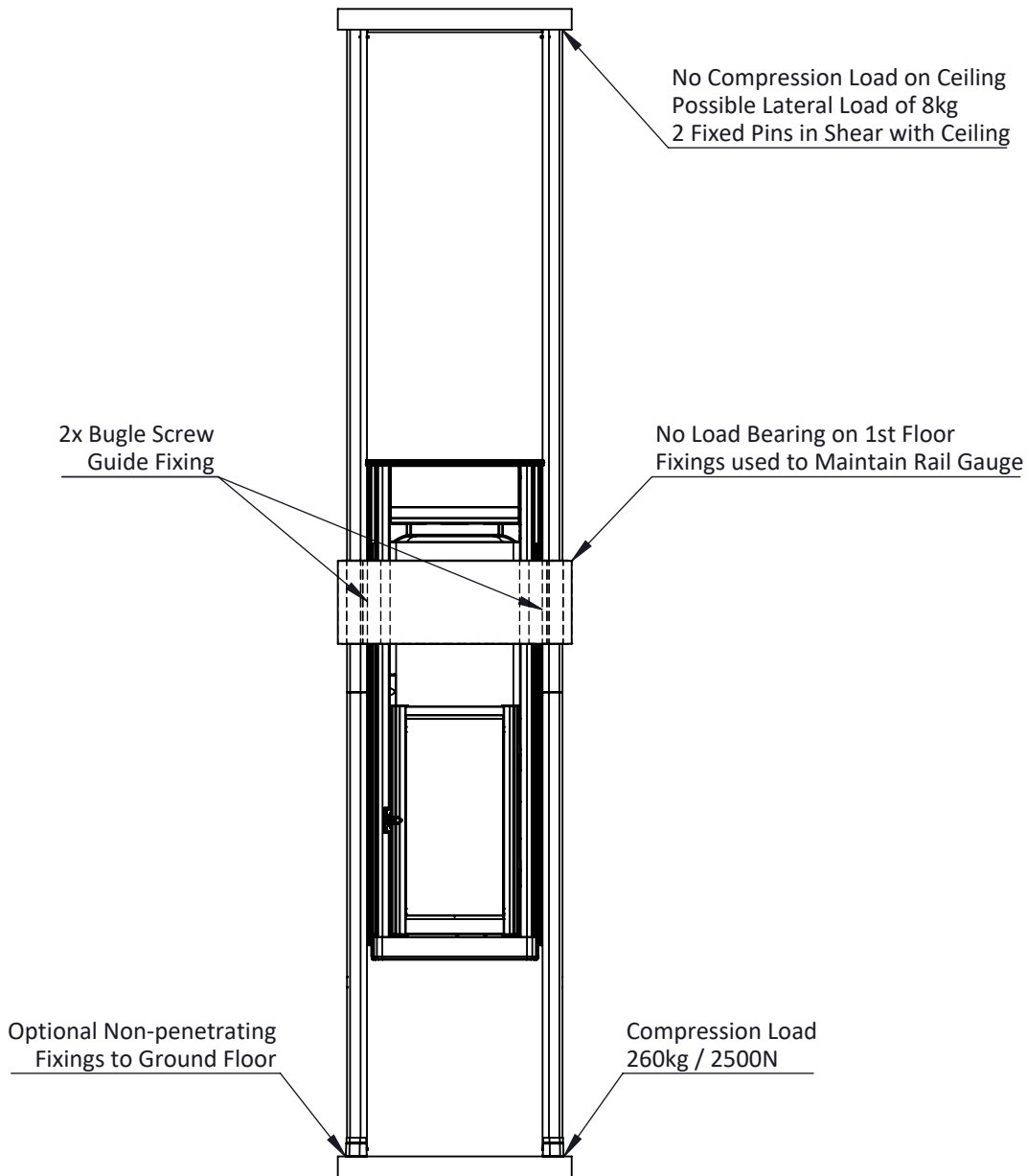










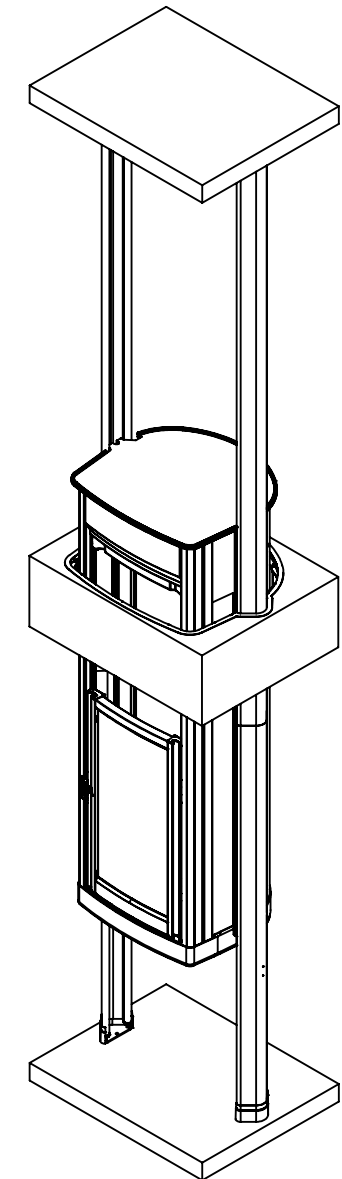
Rev	Description	Rev Date	Rev By



### Technical Information:

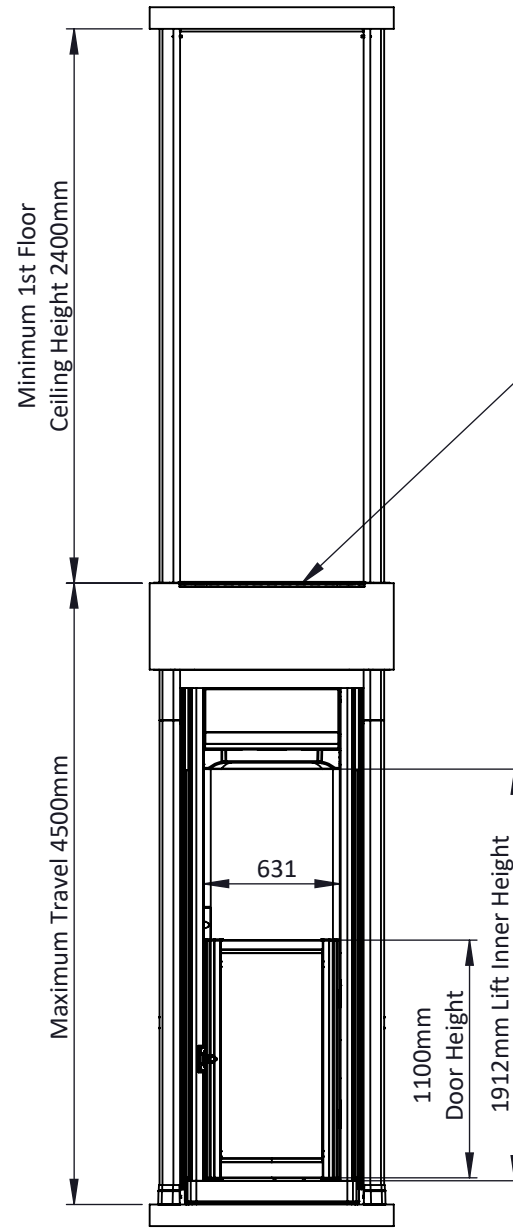
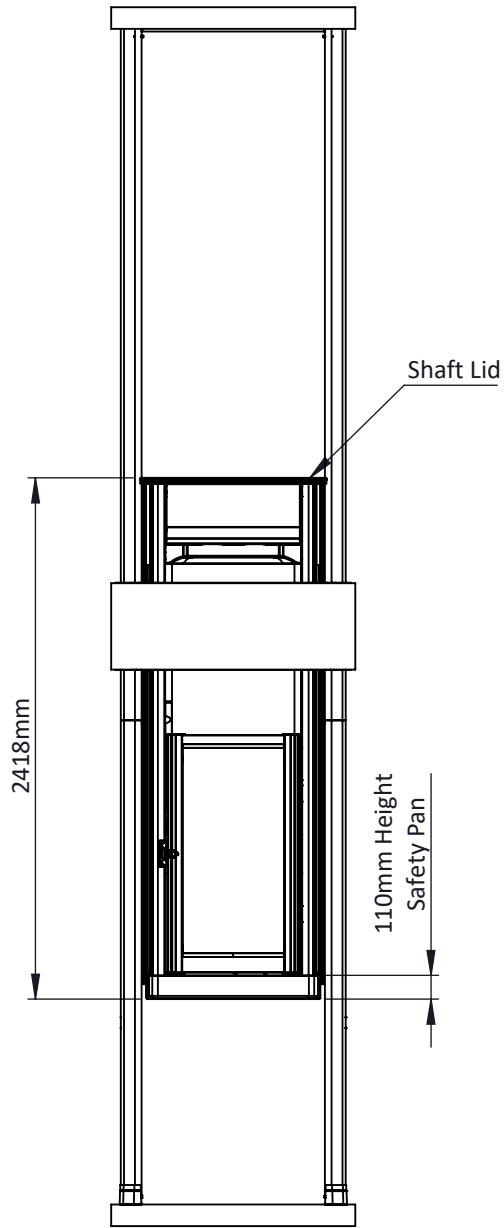
Stiltz Duo +

-  **DRIVE SYSTEM:**  
Rope Drum, Braked Gear Motor Drive
-  **CAPACITY:**  
MAX Capacity 170kg / 2 Persons
-  **TRAVEL:**  
Up to 4500mm
-  **NO of FLOORS:**  
2 Maximum
-  **SUPPLY VOLTAGE:**  
240v 1PH 50HZ
-  **RUNNING CURRENT:**  
2.5 AMP
-  **STARTING CURRENT:**  
3.5 AMP
-  **STANDARD COLOUR:**  
Grey (RAL 7038)  
(Other colours available)

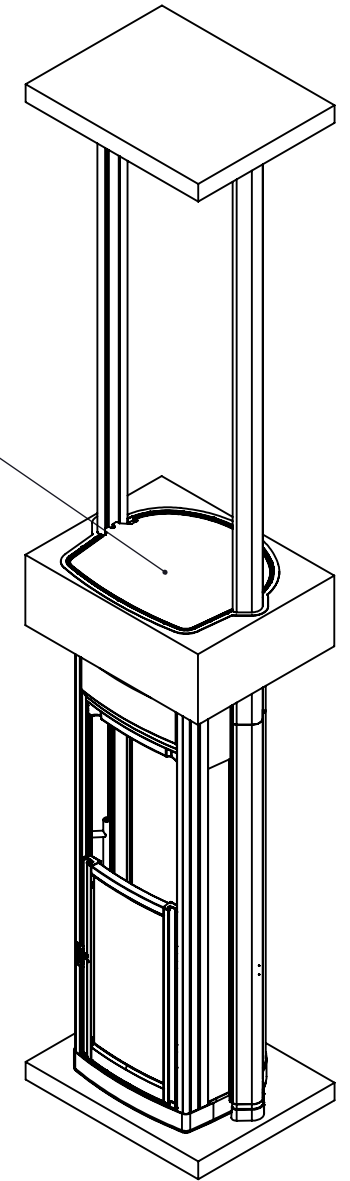


© Stiltz Ltd. 2017		TITLE Stiltz Duo+ Lift Installation	
Drawn JMG	Date 10/2017	A4	
 DIMENSIONS IN MM UNLESS OTHERWISE NOTED THIRD ANGLE PROJECTION - AS 1100		Dwg No -	Rev
		SCALE:	

Rev	Description	Rev Date	Rev By

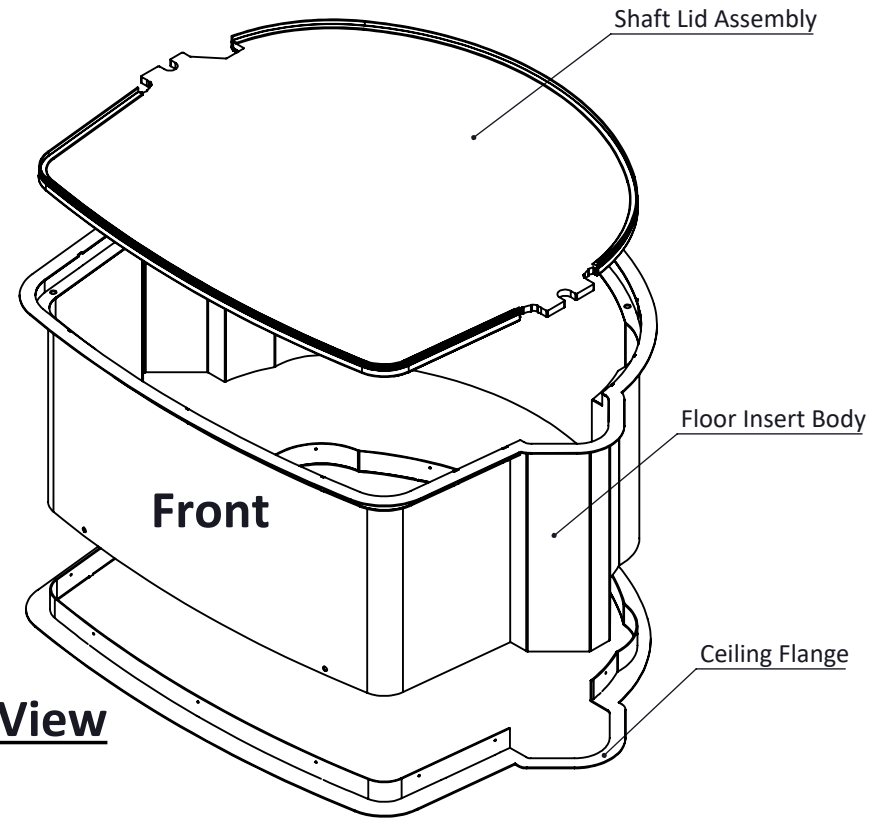
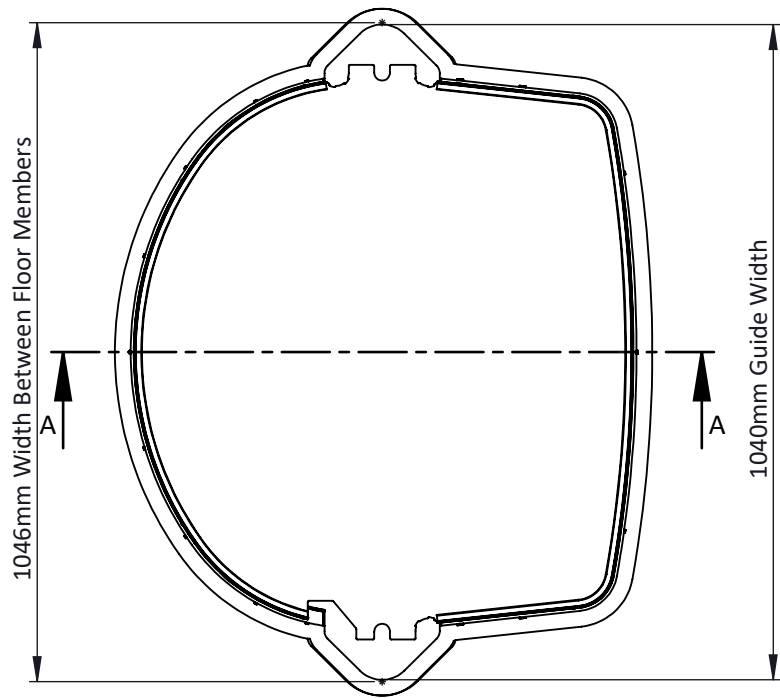


Shaft Lid

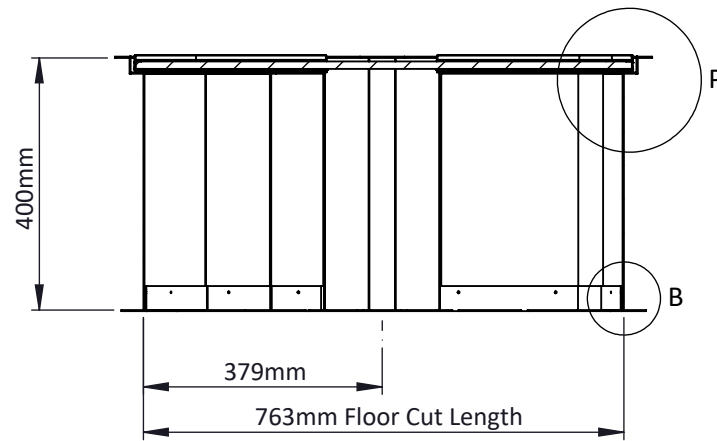


**Standard Application**

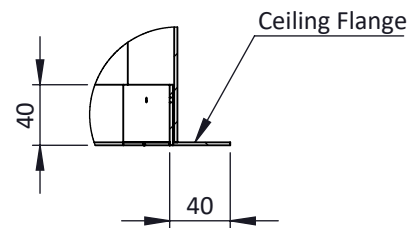
Rev	Description	Rev Date	Rev By



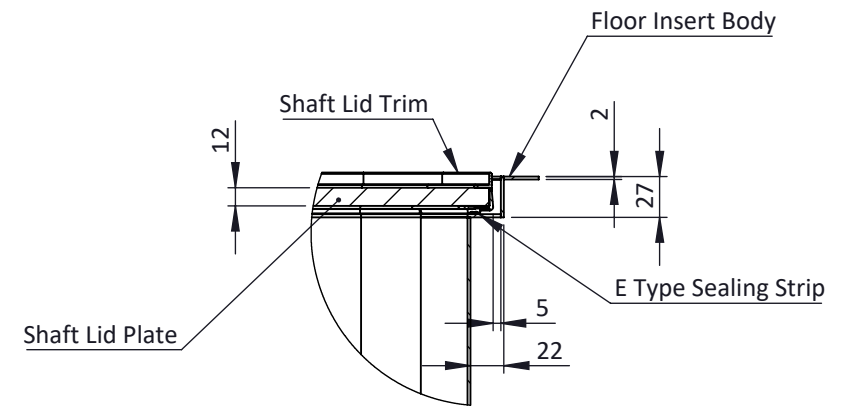
**Explode View**



SECTION A-A

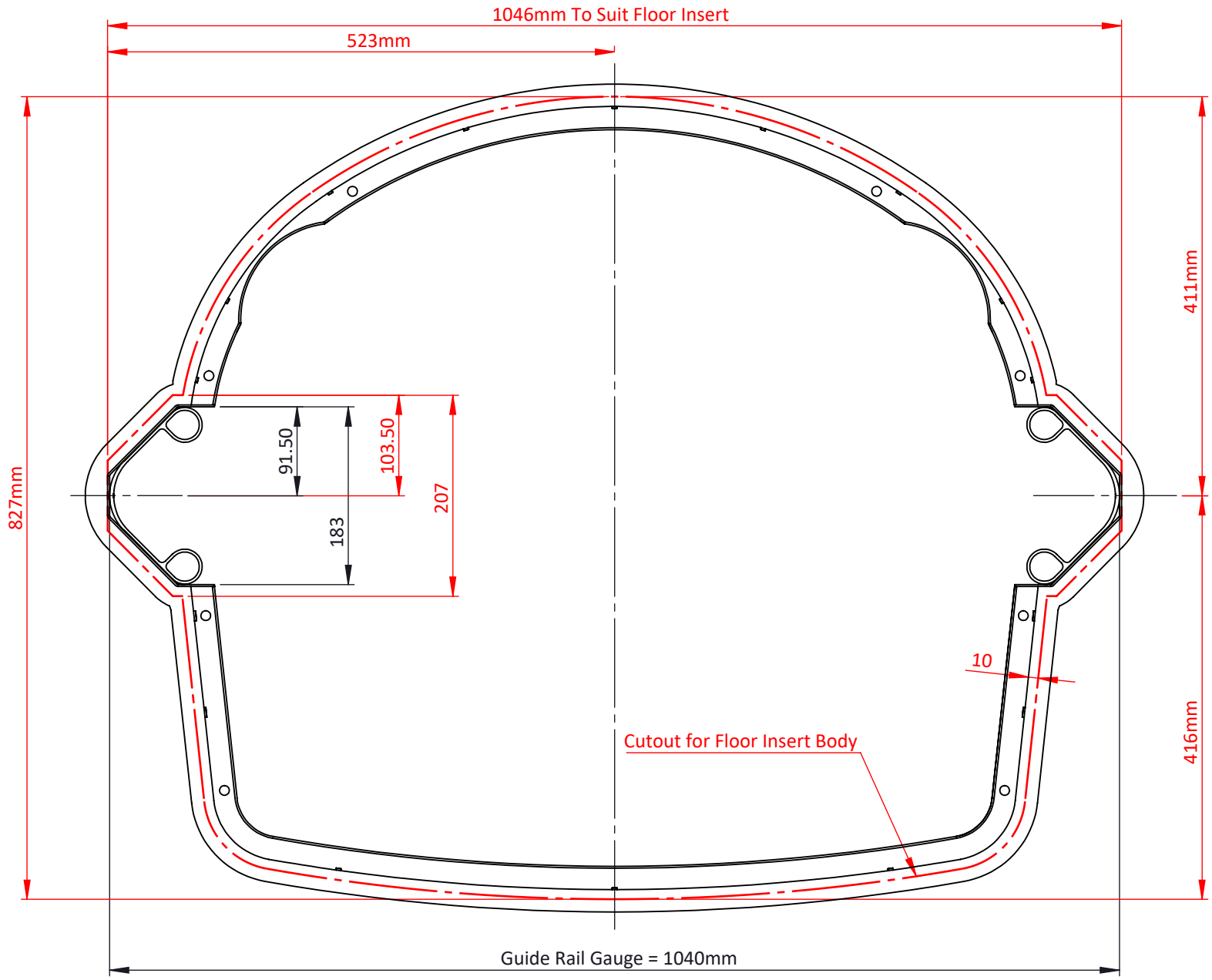


DETAIL B



DETAIL P

Rev	Description	Rev Date	Rev By



**Template Tol.  
+3 / -1**

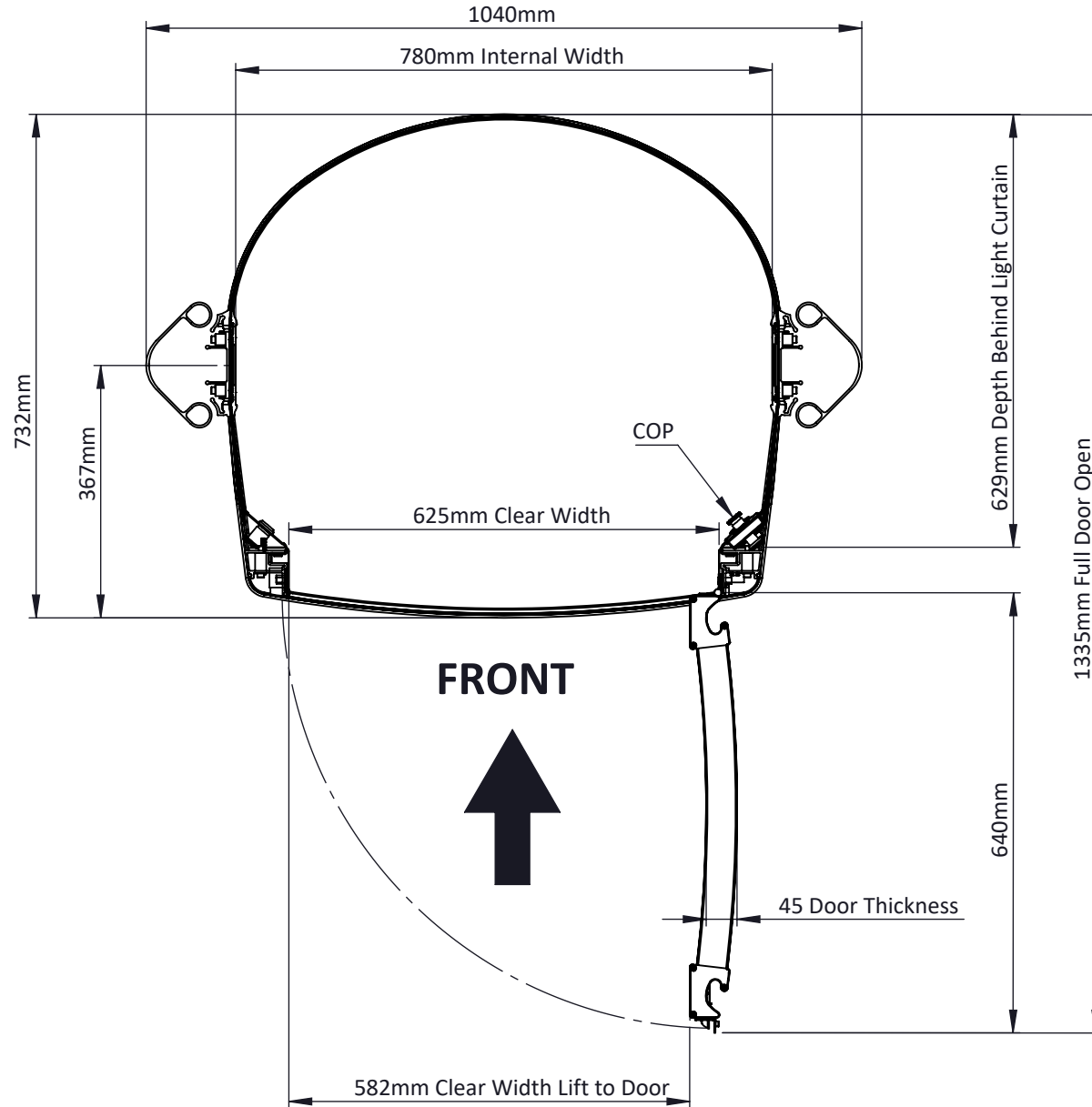


©	Stiltz Ltd.	2017
Drawn	JMG	Date 10/2017
DIMENSIONS IN MM UNLESS OTHERWISE NOTED		
THIRD ANGLE PROJECTION - AS 1100		

TITLE Stiltz Duo+ Floor Insert Cutout Sizes		
<b>A4</b>	Dwg No -	Rev
	SCALE:	

Rev	Description	Rev Date	Rev By

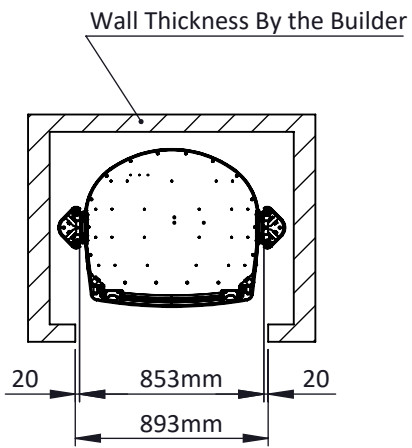
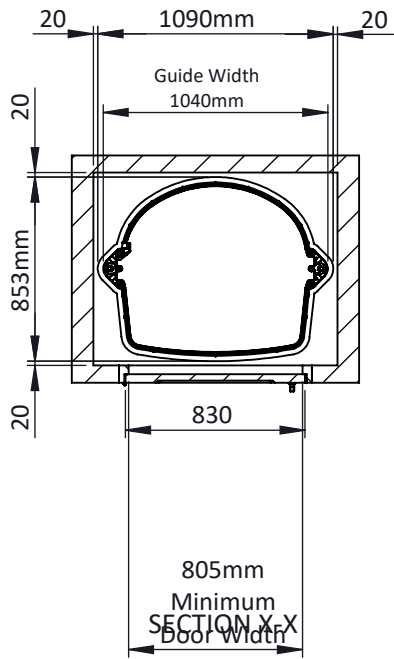
## Doors can operate in RH and LH Positions



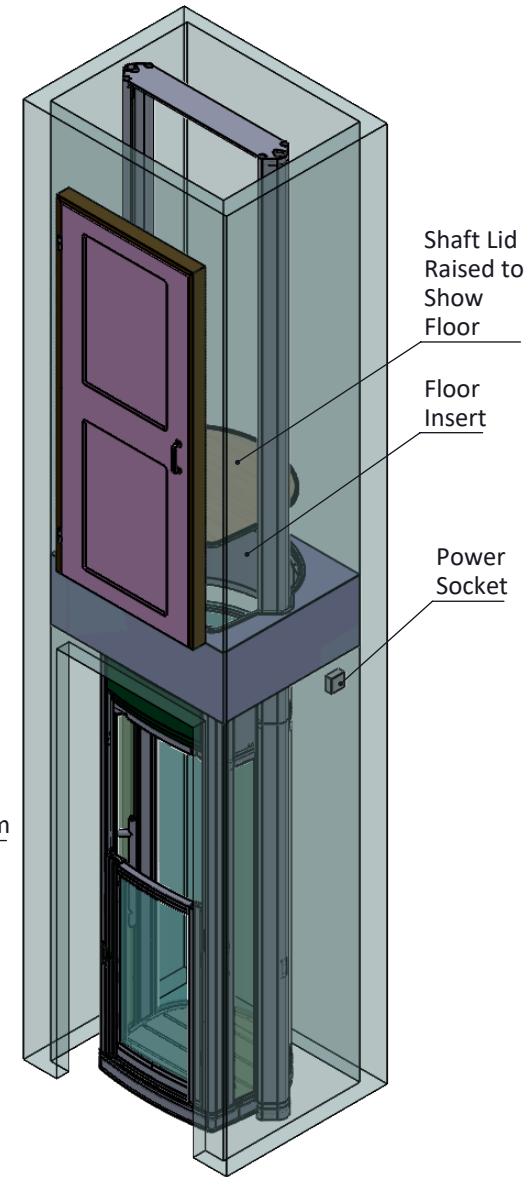
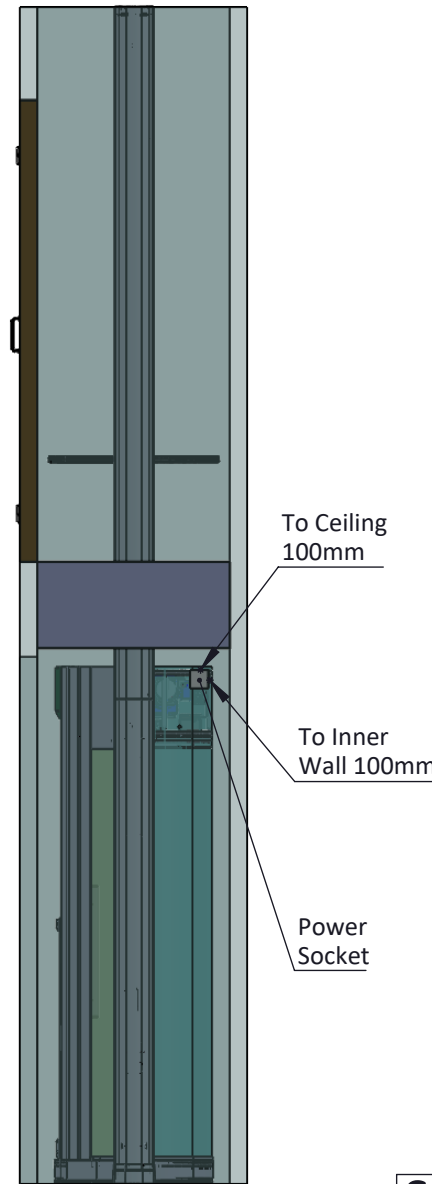
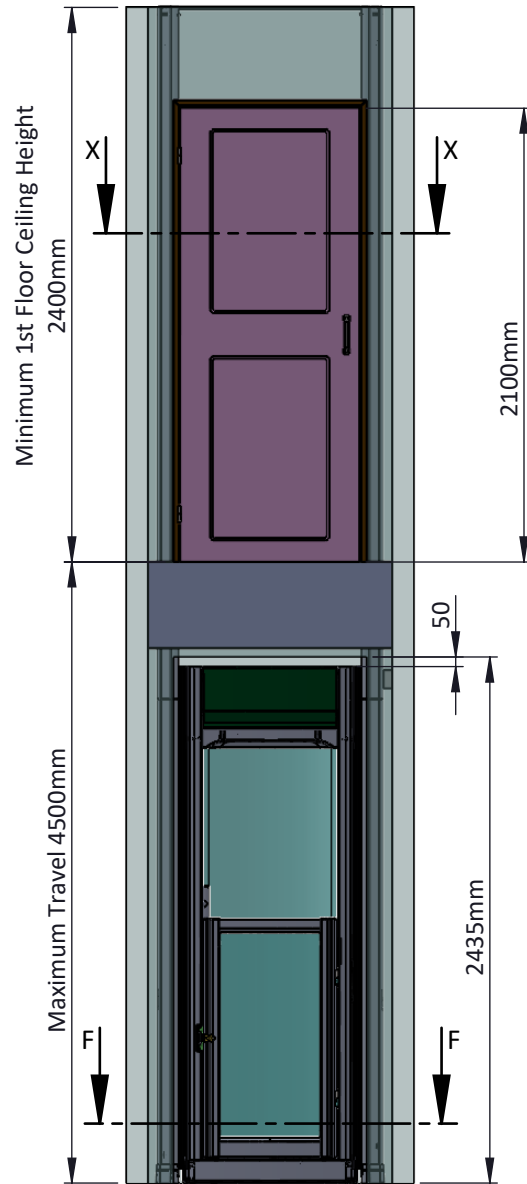
© Stiltz Ltd. 2017	TITLE Stiltz Duo+ Lift Car Configuration	
Drawn JMG	Date 10/2017	
	DIMENSIONS IN MM UNLESS OTHERWISE NOTED	<b>A4</b>
THIRD ANGLE PROJECTION - AS 1100		Dwg No - SCALE:
		Rev

Rev	Description	Rev Date	Rev By

## Bottom Door & Frame removed For Lift Installation



SECTION F-F



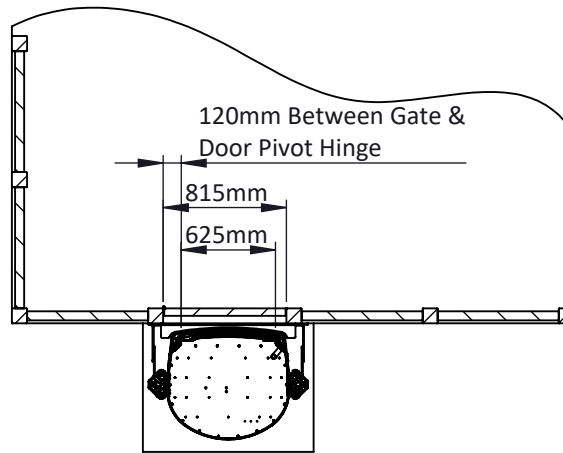
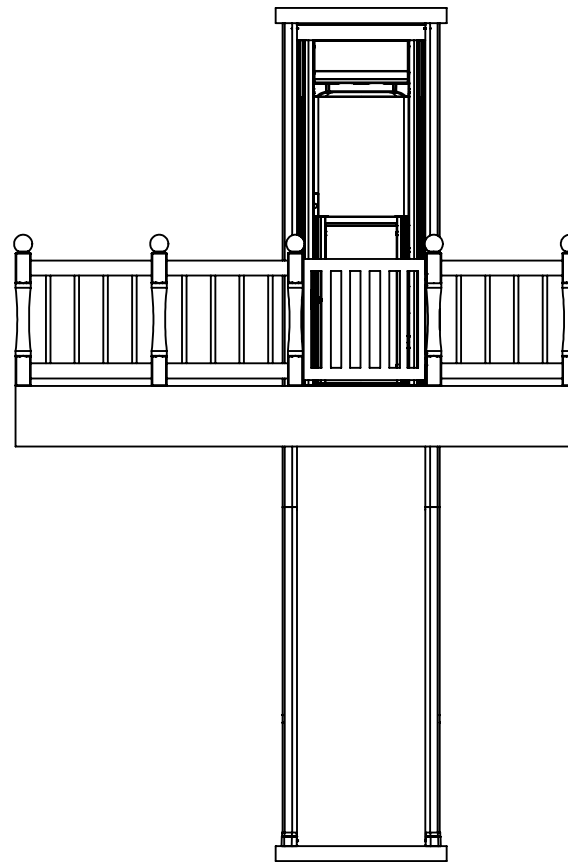
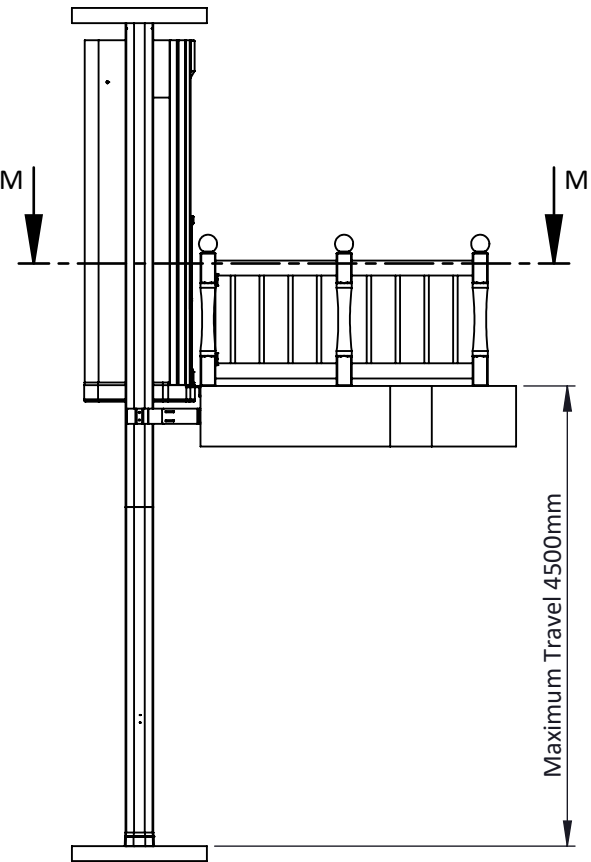
### Shaft Application



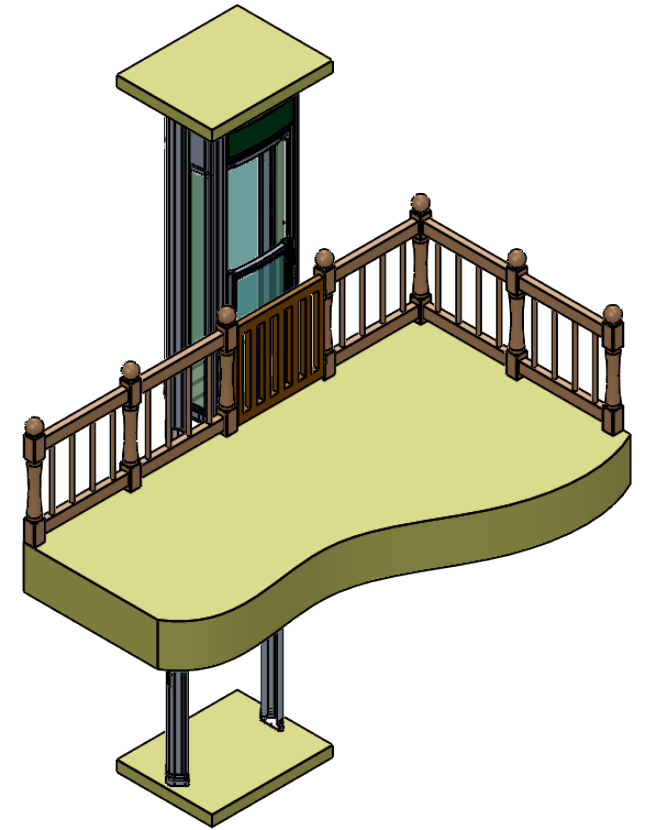
© Stiltz Ltd. 2017	TITLE Stiltz Duo+ Lift Shaft Information	
Drawn JMG	Date 10/2017	
 DIMENSIONS IN MM UNLESS OTHERWISE NOTED THIRD ANGLE PROJECTION - AS 1100		A4 Dwg No - SCALE:
		Rev

PRINT MAY BE REDUCED - DO NOT SCALE.

Rev	Description	Rev Date	Rev By



SECTION M-M

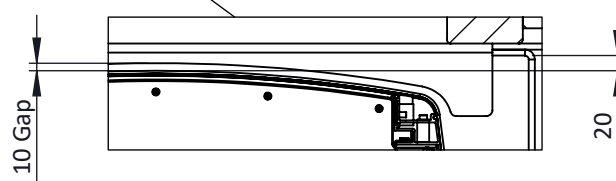
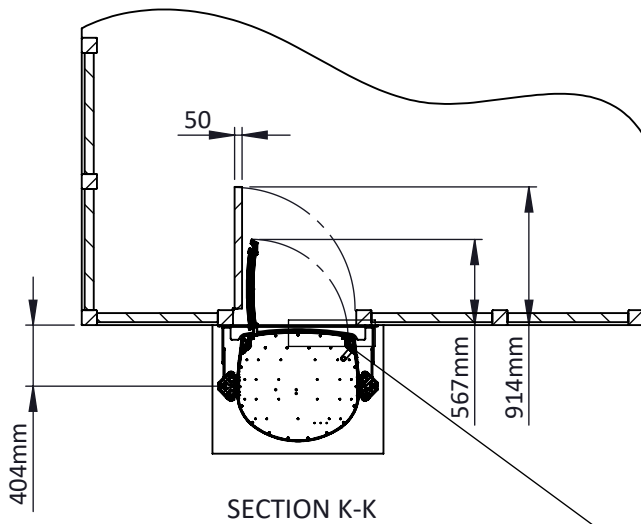
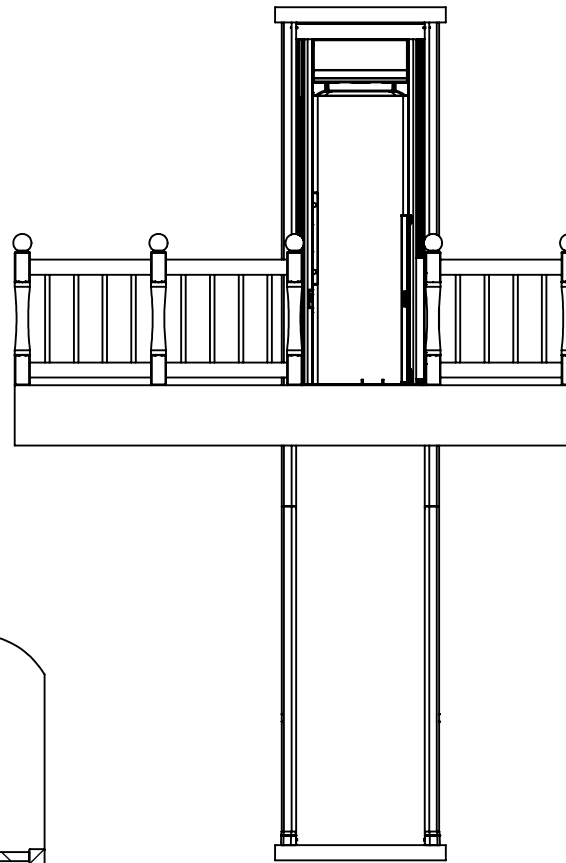
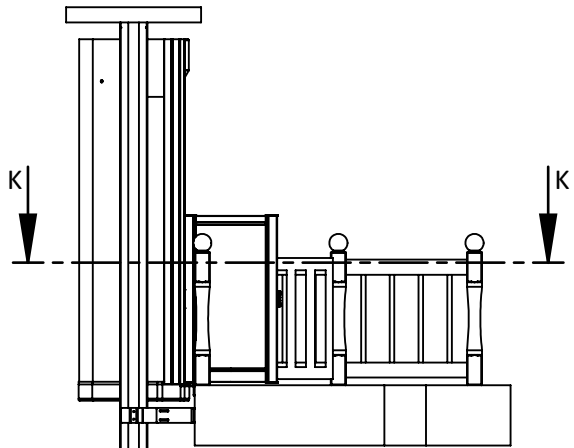


Door & Gate Close



©	Stiltz Ltd.	2017	TITLE Stiltz Duo+ Lift Void Application	
Drawn	JMG	Date	10/2017	
 THIRD ANGLE PROJECTION - AS 1100		DIMENSIONS IN MM UNLESS OTHERWISE NOTED		A4 Dwg No - SCALE:
			Rev	

Rev	Description	Rev Date	Rev By



**Door & Gate Open**